

# PTA 103D-D



Liquid/Air



Air

## GENERAL

- High precision pressure transmitter with local display
- Measuring ranges from 0~0.01 to 100Mpa
- Advanced piezo resistive silicon pressure sensor
- Excellent accuracy and long term stability
- Extremely high proof pressure
- Customized Led Segment(LCD) display with 4~20mA 4(2) wire Output Signal
- Exd IIC T5, IP67
- 1SPDT Relay Contact
- RS 485 Modbus RTU.

## SPECIFICATIONS

### GENERAL

- Maximun Pressure(최대압력) : Rated Range x 3
- Media Compatibility(사용유체) : Air, Oil Liquid
- Pressure Range(사용압력) : Air 0~200Pascal to 0,2MPascal  
Liquid 0.01~2MPa

### ELECTRICAL

- Power supply(전원) : 24VDC or 85~265VAC
- Connections(연결구) : PF 1/2" Female
- Display(표시방법) : 4Digit LED(FND 0.4")  
5Digit LCD Bar Graph

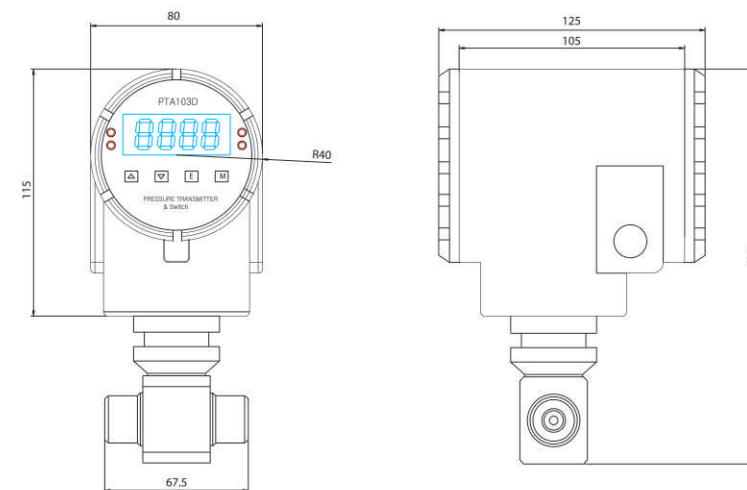
## APPLICATIONS

- Standard hydraulic and pneumatic equipments
- Regulation system of transmission line LPG and LNG
- Machine tools and automatic machinery
- Flow control and water treatment
- Oil and off-shore industry
- Equipments for chemical petro chemical industry
- Automation system and plant engineering
- Liquid level measurement
- Dry Over and Furnace Draft Controls

### PERFORMANCE AT 23°C

- Zero Output(영점출력) : 4mA
- Full Span Output(최대출력) : 20mA
- Accuracy(정밀도) : ±0.5% FSO(Includes Linearity, Hysteresis & Repeatability)  
±0.25% Option
- Operation Temperature(사용온도) : -40~125°C
- Compensated Temperature(보정온도) : 0~85°C

## Dimension >>>>



## SPECIFICATIONS

### MECHANICAL

- Process connections(접속구) : PT 1/4" Female
- Process media(접속구재질) : Compatible with stainless steel 316
- Materials(재질) : Wetted part(유체접촉면) : stainless steel 316  
Housing(몸체) : Aluminum Die-casting
- Enclosure rating(보호등급) : IP67
- Weigat(중량) : Approx.(1.9kg)

### STANDARD ACCESSORIES

### TRANSMITTER(Optional)

- Output Signal(출력전류) : 4~20mADC(limited at 30mADC)
- Loop Resistance(폐회로저항) : 0~1100ohm
- Zero & Span(설정) : One touch adjustable on Panel

### SWITCH(Optional)

- Relay Contact(릴레이출력) : 1SPDT(NC-COM-NO)
- Contact Rating(접점용량) : 1A 30VDC
- Connections(연결) : 3Screw terminal block
- Level setting(설정) : Local setting

### COMMUNICATIONS

- RS485 Modbus RTU

## Ordering Information

